



# Engine number guide

 **Perkins®**

THE HEART OF EVERY GREAT MACHINE

# Understand your engine plate

## Know the parts you need for your engine

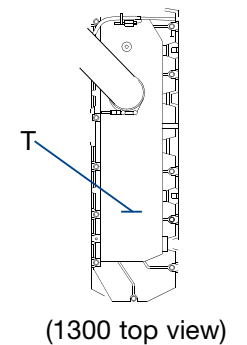
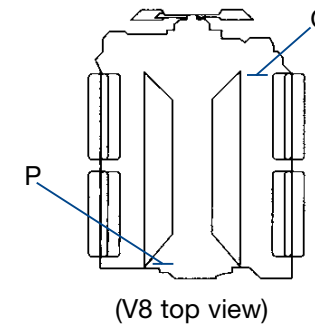
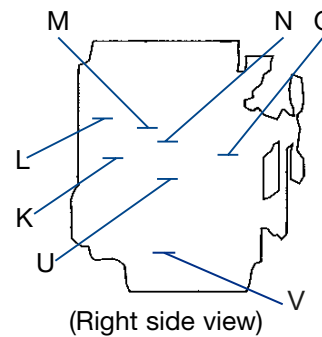
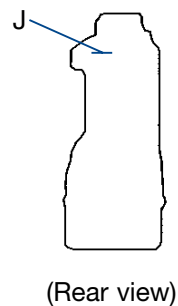
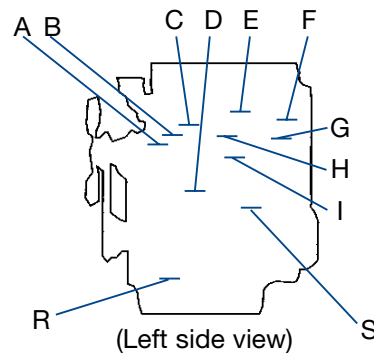
Over the years Perkins has produced hundreds of different engines and each can have many different variants.

So how do you know the exact specification of your engine? All the information you need about your engine is included in the serial number on your engine plate, which you can use to find the parts to fit on your engine.

## Where can I find my serial number?

The engine serial number is on a metal plate attached to the block, typically found on the left-hand side of the engine. The position of the engine plate varies across different engine series. You can find the position of your plate using the table below.

Engine type	Position	Engine type	Position	Engine type	Position
3.152	M	4.41	H	1104D	S
4.108	A	6.247	C or F	850 Series	D or R
4.154/200 Series	B	6.354	D	1204E	S
4.165	B or G	V8.540	Q	1206E	R
4.203	J or N	Peregrine/1300 Series	I or O	1300 Series	T
4.212/4.248/900 Series	C	V8.640	P	1500 Series	U
1106D including PK	R	700/800 Series	K	1600 Series	U
4.236	C or L	Perama/100/400 Series	O	1706	N
4.318	F	Phaser/1000/1100 (A/B/C) Series	H or J	2506/2806	V



# Engine serial number composition

The engine serial number is made up of several components. For example, full engine serial number could be PJ12345U123456P.

The engine serial number is the complete number shown. This is made up of:

- ① the list number or build list, typically 2 to 4 letters followed by 4 or 5 numbers
- ② a letter identifying the country
- ③ a series of numbers showing the build line, also called a serial number
- ④ a letter indicating the year of manufacture



## Year of manufacture code

This code indicates the calendar year of manufacture. The letters I,O,Q,R and Z will not be used									
A	1974	L	1984	Y	1994	K	2003	X	2013
B	1975	M	1985	A	1995	L	2004	Y	2014
C	1976	N	1986	B	1996	M	2005	A	2015
D	1977	P	1987	C	1997	N	2006	B	2016
E	1978	S	1988	D	1998	P	2007	C	2017
F	1979	T	1989	E	1/1/99-31/3/99	R <sup>1</sup> /S	2008	D	2018
G	1980	U	1990	F	1/4/99-31/12/99	T	2009	E	2019
H	1981	V	1991	G	2000	U	2010	F	2020
J	1982	W	1992	H	2001	V	2011	G	2021
K	1983	X	1993	J	2002	W	2012		

### Notes

<sup>1</sup> A number of engines were built with the letter 'R' as the year of manufacture code. In the middle of January 2008, the year of manufacture code was changed to the letter 'S'.  
If your full engine serial number ends with the letter 'R', Perkins Engines Company Limited will recognise the full engine serial number.

## Small/medium engines

<b>Phaser/1000 Series</b>	<b>BL</b> 1206E-E70TTA	<b>DD</b> 1103C-33T	<b>FL</b> 904J-E28T	<b>GV</b> 404A-22	<b>4.203 Series</b>
<b>AA</b> 1004-4	<b>BM</b> 1206F-E70TA	<b>DE</b> 1103C-33TA	<b>FM</b> 904J-E28TA	<b>4.165 Series</b>	<b>JD</b> 4.203
<b>AB</b> 1004-4T	<b>BN</b> 1206F-E70TTA	<b>DF</b> 1103B-33	<b>FT</b> 904D-E36TA	<b>HA</b> 4.165	<b>JE</b> D4.203
<b>E</b> 1004-4T	<b>BP</b> 1206A-E70TTA	<b>DG</b> 1103B-33T	<b>FW</b> 904J-E36TA <56kW	<b>400 Series</b>	<b>JF</b> G4.203
<b>AD</b> 1004e-4TW	<b>BQ</b> 1206D-E70TTA	<b>DJ</b> 1103A-33	<b>FX</b> 904J-E36TA >56kW	<b>HB</b> 402C-05	<b>JG</b> 4.2032
<b>AE</b> Fed. CC	<b>3.152 Series</b>	<b>DK</b> 1103A-33T	<b>4.154/200 Series</b>	<b>HD</b> 403C-07	<b>850 Series</b>
<b>AF</b> 1004-40S	<b>CA</b> P3	<b>4.108 Series</b>	<b>GA</b> 4.154	<b>HH</b> 403C-11	<b>JR</b> 854E-E34TA wall flow
<b>AG</b> 1004-4	<b>CB</b> 3.144	<b>ED</b> 4.108	<b>GB</b> 4.135	<b>HL</b> 403C-15	<b>JS</b> 854F-E34T wall flow
<b>AH</b> 1004-4T	<b>CC</b> P3.144	<b>400 Series</b>	<b>GC</b> 4.182	<b>HM</b> 403C-17	<b>JT</b> 854F-E34T through flow
<b>New 1000 Series</b>	<b>CD</b> 3.152	<b>EG</b> 402F-05	<b>GD</b> 4.25	<b>HN</b> 404C-15	<b>JU</b> 854F-E34TA
<b>AJ</b> 1004-40	<b>CE</b> D3.152	<b>EH</b> 403F-07	<b>GE</b> 4.3	<b>HP</b> 404C-22	<b>JV</b> 854F-E34TA wall flow
<b>AK</b> 1004-40T	<b>CF</b> G3152	<b>EJ</b> 403F-11	<b>400 Series</b>	<b>HR</b> 404C-22T	
<b>AL</b> 1004-40TA	<b>CG</b> P3.152	<b>EK</b> 403F-15	<b>GG</b> 402D-05	<b>400 Series</b>	
<b>AM</b> 1004-40T	<b>CJ</b> 3.1522	<b>EL</b> 403F-15T	<b>GH</b> 403D-07	<b>IG</b> 402J-05	
<b>AP</b> 1004-40	<b>CK</b> T3.152C	<b>EN</b> 404F-22	<b>GJ</b> 403D-11	<b>IH</b> 403J-07	
<b>AQ</b> 1004-40T	<b>CM</b> 3.1524	<b>EP</b> 404F-22T	<b>GK</b> 403D-15T	<b>IJ</b> 403J-11	
<b>AR</b> 1004-42	<b>CN</b> T3.1524	<b>EQ</b> 404F-E22T	<b>GL</b> 403D-15T	<b>IK</b> 403J-15	
<b>AS</b> 1004-42	<b>900 Series</b>	<b>ER</b> 404F-E22TA	<b>GM</b> 404D-15	<b>IS</b> 403J-17	
<b>AT</b> 1004-40TA	<b>CR</b> 903-27	<b>EW</b> 403F-E17T	<b>GN</b> 404D-22	<b>IF</b> 403J-17T	
<b>Prima/500 Series</b>	<b>CP</b> 903-27	<b>400 Series Gas</b>	<b>GP</b> 404D-22T	<b>IN</b> 404J-22	
<b>BA</b> 504-2	<b>CS</b> 903-25	<b>EX</b> 404A-22SG1	<b>GR</b> 404D-22TA	<b>IQ</b> 404J-E22T	
<b>BB</b> 502-2T	<b>CT</b> 903-27S	<b>900 Series</b>	<b>GS</b> 403D-17	<b>IR</b> 404J-E22TA	
<b>1200 Series</b>	<b>1100 Series</b>	<b>FE</b> 904D-E28T	<b>GT</b> 403A-11	<b>IW</b> 403J-E17T	
<b>BK</b> 1206E-E66TA	<b>DC</b> 1103C-33	<b>FJ</b> 904F-E28T	<b>GY</b> 403A-15	<b>IZ</b> 403J-11T	

<b>A</b>	Air-to-air chargecooled	<b>E</b>	Electronic	<b>H</b>	Horizontal	<b>T</b>	Turbocharged
<b>C</b>	Compensated	<b>F</b>	Federal emissions	<b>N</b>	Narrow front end	<b>U</b>	Unit injection
<b>CC</b>	Chargecooled	<b>FF</b>	Federal	<b>P</b>	Timing chain	<b>V</b>	V form
<b>D</b>	Direct injection	<b>G</b>	Gasoline/gas	<b>S</b>	Spark ignition	<b>W</b>	Water-to-air chargecooled

## Small/medium engines

<b>Perama/100 Series</b>	LJ	T4.236	NL	1104D-44T	RT	1104A-44TA	<b>700 Series</b>	XK	1103D-33	
KA	102.04		NM	1104D-44TA		<b>Sabre CC6.68</b>	UA	704.30	XL	1103D-33T
KB	103.06		NP	1104D-E44T	SD	Sabre CC6.68	UB	704.26	XM	1103D-33TA
KC	103.09		NR	1104D-E44TA		<b>1200 Series</b>	UC	704.30		<b>Phaser/1000 Series</b>
KD	103.10		PJ	1106D-E66TA	ST	1204J-E44TA		<b>800 Series</b>	YA	1006-6
KE	103.15		PK	1106C-E66TA <sup>1</sup>	SU	1204J-E44TTA	UE	804C-33	YB	1006-6T
KF	104.19		PP	1106A-70T		<b>6.354 Series</b>	UK	804D-33	YC	1006-6T
KG	103.12		PR	1106A-70TA	TC	6.354	UL	804D-33T	YD	1006e-6T
KH	103.13		PT	1106C-70TA	TD	H6.354	UM	804D-33TA	YE	Fed. CC
KJ	103.15 DI		PU	1106D-70TA	TE	T6.354		<b>1100 Series</b>	YF	1006-60S
KK	104.19 DI		PV	1106C-E70TA	TF	HT6.354	VK	1106C-E60TA		<b>New 1000 Series</b>
KL	103.07		PW	1106D-E70TA	TG	6.3541		<b>1200 Series</b>	YG	1006-60
KN	102.05			<b>6.247 Series</b>	TH	T6.3541	VL	1206J-E70TA	YH	1006-60T
KR	104.22		RA	6.247	TJ	6.3542	VM	1206J-E70TTA	YJ	1006-60TA
KS	103.11			<b>1100 Series</b>	TP	T6.3543		<b>V8.540 Series</b>	YK	1006-60TW
	<b>4.236 Series</b>		RE	1104C-44	TR	6.372	XA	V8.510		<b>V8.640 Series</b>
LA	4.212		RF	1104C-E44	TT	TC6.3541	XB	TV8.510	ZA	V8.640
LB	G4.212		RG	1104C-44T	TU	T6.3544	XC	V8.540	ZB	TV8.640
LD	4.236		RH	1104C-E44T	TV	6.3724	XE	TV8.540		
LE	G4.236		RJ	1104C-44TA	TW	6.3544		<b>1100 Series</b>		
LF	4.428		RK	1104C-E44TA	TX	C6.3544	XG	1103D-E33		
LG	4.2482		RR	1104A-44	TY	H6.3544	XH	1103D-E33T		
LH	C4.236		RS	1104A-44T	TZ	HT6.3544	XJ	1103D-E33TA		

<b>A</b>	Air-to-air chargecooled	<b>E</b>	Electronic	<b>H</b>	Horizontal	<b>T</b>	Turbocharged
<b>C</b>	Compensated	<b>F</b>	Federal emissions	<b>N</b>	Narrow front end	<b>U</b>	Unit injection
<b>CC</b>	Chargecooled	<b>FF</b>	Federal	<b>P</b>	Timing chain	<b>V</b>	V form
<b>D</b>	Direct Injection	<b>G</b>	Gasoline/gas	<b>S</b>	Spark ignition	<b>W</b>	Water-to-air chargecooled

### Notes

<sup>1</sup> PK Series engines are derived from the 1106D range platform but are only Stage II EU 2007 generator sets emissions compliant.

<sup>2</sup> Not available from 2014.

## Large engines

4000 Series		DGK	4012-46TWG2 (A)	JG	2806C/D-E18TA	1700 Series		1300 Series Peregrine		1300 Series	
DIE	4006TESI	DGN	4012-46TWG3 (A)	JGA	2806A/C/D- E18TAG1(A)	NGK	1706J-E93TA	WB	1306-8T	WGD	1306A-E87TAG3
DIF	4006TESI	DGV	4012-46TWG4 (A)			NGW	1706D-E93TA	WC	1306-8TA	WGE	1306A-E87TAG4
DIH	4006TRS	DGP	4012TEG	JGB	2806A-E18TAG2	<b>2200 Series</b>		WD	1306-7T pre June 2010	WGH	1306A-E87TAG6
DIJ	4006TRS	DGR	4012TEG2	JGD	2806A/C-E18TAG3	PK3	2206D-E13TA	WD	1306-E87T/TA post June 2010	<b>1600 Series</b>	
DGA	4006TAG1	DIE	4016TESI	JGF	2806A-E18TTAG5	PP3	2206F/J-E13TA			XGA	1606D-E93TAG1
DGB	4006-23TAG2 (A)	DIF	4016TESI	JGK	2806F-E18TAG1	PP4	2206F-E13TA (ARD)			XGB	1606D-E93TAG2
DGD	4006-23TAG3 (A)	DIG	4016E61-TRS	JGL	2806C-E18TTAG6	<b>2500 Series</b>		WE	1306-7TA	XGD	1606D-E93TAG3
DGM	4006TGW	DIH	4016TRS	JGM	2806C-E18TTAG7	PK5	2506D-E15TA	WF	1306-8T NGD	XGE	1606A/D-E93TAG4
DGP	4006TEG	DIJ	4016TRS	JGY	2806C-E18TAG2	PP5	2506F/J-E15TA	WG	1306-8TA NGD pre Jan 2010	XGF	1606A/D-E93TAG5
DIE	4008TESI	DGL	4016TAG	JGZ	2806C-E18TAG3	<b>2800 Series</b>		WG	1306-E87TA post Jan 2010	<b>1700 Series</b>	
DIF	4008TESI	DGA	4016TAG1 (A)	<b>2400 Series</b>		P84	2806F/J-E18TA			YGA	1706A-E93TAG1
DIH	4008TRS	DGB	4016TAG2 (A)	KHG	2406J-E13TA	PK8	2806D-E18TA			YGB	1706A-E93TAG
DIJ	4008TRS	DGK	4016TWG2	<b>1500 Series</b>		PP8	2806J-E18TTA	WH	1306-9T NGD	YGC	1706D-E93TAG1
DGL	4008TAG	DGR	4016TEG1/2 (A)	LGA	1506C-E88TAG1	<b>1500 Series</b>		WJ	1306-9TA NGD	YGD	1706D-E93TAG2
DGA	4008TAG (A)	DGP	4016-61TRG1 (A)	LGB	1506A/C-E88TAG1	PK9	1506D-E88TA	<b>1300 Series EDi</b>		YGF	1706J-E93TAG2
DGB	4008TAG (A)	DGW	4016-61TRG2 (A)	LGD	1506A/C/D- E15TAG2	<b>2800 Series</b>		WK	1306-E76T		
DGK	4008TWG2	DGX	4016-61TRG3 (A)	LGE	1506A-E88TAG4	R5H	2506J-E15TA	WL	1306-E76TA		
DIE	4012TESI	<b>2300 Series</b>		LGF	1506A/D-E88TAG5	R8H	2806J-E18TA	WM	1306-E87T		
DIF	4012TESI	FGA	2306TAG1	<b>2500 Series</b>		<b>2200 Series</b>		WN	1306-E87TA		
DGA	4012-46TAG1 (A)	FGB	2306TAG2	MGA	2506A/C-E15TAG1	TGB	2206A/C/D- E13TAG2	WP	1306-E76T		
DGB	4012-46TAG2 (A)	FGD	2306TAG3	MGB	2506A/C/D-E15TAG2	TGD	2206A/C/D- E13TAG3	WQ	1306-E76TA		
DGD	4012-46TAG3 (A)	<b>2800 Series</b>		MGD	2506A/C-E15TAG3	TGF	2206A-E13TAG5	WR	1306-E87T		
DGL	4012-46TAG0A	HGA	2806TAG1 (16 litre)	MGE	2506A/C-E15TAG4	TGH	2206A-E13TAG6	WS	1306-E87TA EP pre Jan 2010 IOPU pre June 2010		
DGM	4012TGW	HGB	2806TAG2 (16 litre)			TGK	2206A-E13TAG				

<b>61</b>	Capacity in litres	<b>CHP</b>	Combined heat and power	<b>I</b>	Intercooled	<b>S (SI)</b>	Spark ignition
<b>A</b>	Air-to-air	<b>E</b>	External water circuit	<b>M</b>	Marine	<b>T</b>	Turbocharged
<b>ARD</b>	Aftertreatment regeneration device	<b>E</b>	Electronic	<b>R</b>	Remote cooled	<b>W</b>	Water
		<b>G</b>	Genset				

## 1300 Series

Build list ID pre January 2010	Build list ID from January 2010	Product type	Speed
<b>1300 Series EP</b>			
WS5360	WGDF7002	1306C-E87TAG3	1500 rpm
WS5361	WGEF7003	1306C-E87TAG4	1500 rpm
WS5358	WGFF7007	1306C-E87TAG5	1500 rpm
WS5362	WGHF7004	1306C-E87TAG6	1500 rpm
WS5359	WGDF7008	1306C-E87TAG3	1800 rpm
WS5357	WGEF7009	1306C-E87TAG4	1800 rpm
WS5363	WGDF7005	1306C-E87TAG3	1500/1800 rpm
WS5364	WGEF7006	1306C-E87TAG4	1500/1800 rpm

Build list ID	Product type
<b>1300 Series</b>	
WGDF	1306A-E87TAG3
WGEF	1306A-E87TAG4
WGHF	1306A-E87TAG6

Build list ID pre January 2010	Build list ID from January 2010	Product type	Speed
<b>1300 Series IOPU</b>			
WR4424	WDMF7100	1306-E87T	153.0 @ 2200
WP4423	WDNF7101	1306-E76T	156.5 @ 2400
WR4425	WDPF7102	1306-E87T	168.0 @ 2200
WS4426	WDQF7103	1306-E87TA	186.5 @ 2000
WS4427	WDRF7104	1306-E87TA	186.5 @ 2200
WS4580	WDSF7105	1306-E87TA	197.5 @ 2100
WS4428	WDTF7106	1306-E87TA	197.5 @ 2100
WS5093	WDUF7107	1306-E87TA	197.5 @ 2200
WS5095	WDVF7108	1306-E87TA	197.5 @ 2200
WS5405	WDWF7109	1306-E87TA	223.5 @ 2200
WS5404	WDXF7110	1306-E87TA	246.0 @ 2000

## 1500 Series

Build list ID	Product type
<b>1500 Series EP</b>	
LGAF	1506A-E88TAG1
LGBF	1506A/C-E88TAG2
LGDF	1506A/C/D-E88TAG3
LGEF	1506A-E88TAG4
LGFF	1506A/D-E88TAG5

## 1600 Series

Build list ID	Product type
<b>1600 Series EP</b>	
XGAF	1606D-E93TAG1
XGBF	1606D-E93TAG2
XGDF	1606D-E93TAG3
XGEF	1606A/D-E93TAG4
XGFF	1606A/D-E93TAG5

## 2000 Series Electronic

Build list ID pre January 2009	Build list ID from January 2009	Product type
<b>2200 Series</b>		
Not applicable	TGBF	2206A/C/D-E13TAG2 (13 litre)
Not applicable	TGDF	2206A/C/D-E13TAG3 (13 litre)
Not applicable	TGFF	2206A-E13TAG5 (13 litre)
Not applicable	TGHF	2206A-E13TAG6 (13 litre)
<b>2300 Series</b>		
FGA06	FGAF	2306TAG1 (14 litre)
FGB06	FGBF	2306TAG2 (14 litre)
FGD06	FGDF	2306TAG3 (14 litre)

Build list ID pre January 2008	Build list ID from January 2008	Product type
<b>2500 Series</b>		
MGA06	MGAF	2506A/C-E15TAG1 (15 litre)
MGB06	MGBF	2506A/C/D-E15TAG2 (15 litre)
MGD06	MGDF	2506A/C-E15TAG3 (15 litre)
MGE06	MGEF	2506A/C-E15TAG4 (15 litre)
<b>2800 Series</b>		
HGA06	Not applicable	2806TAG1 (16 litre)
HGB06	Not applicable	2806TAG2 (16 litre)
JGA06	JGAF	2806A/C-E18TAG1 (A) (18 litre)
JGB06	JGBF	2806A-E18TAG2 (18 litre)
JGD06	JGDF	2806A/C-E18TAG3 (18 litre)
Not applicable	JGYF	2806A-E18TAG2 (18 litre)
Not applicable	JGZF	2806A-E18TAG3 (18 litre)

Build list ID pre February 2014	Build list ID from February 2014	Product type
<b>2800 Series</b>		
Not applicable	JGAF	2806D-E18TAG1 (A) (18 litre)



## 4000 Series - Diesel

Build list ID pre January 2008	Build list ID from January 2008	Product type
<b>4006</b>		
DGA06	Not applicable	4006TAG1
DGB06	DGBF	4006/4006-23TAG2 (A)
DGD06	DGDF	4006/4006-23TAG3 (A)
DGM06	Not applicable	4006TWG
DGP06	Not applicable	4006TEG
<b>4008</b>		
DGL08	DGLH	4008TAG
DGA08	DGAH	4008TAG1 (A)
DGB08	DGBH	4008TAG2 (A)
DGK08	Not applicable	4008TWG2

Build list ID pre January 2016	Build list ID from January 2016	Product type
<b>4008</b>		
Not applicable	DGAH	4008-30TAG1
Not applicable	DGBH	4008-30TAG2
Not applicable	DGDH	4008-30TAG3

Build list ID pre January 2008	Build list ID from January 2008	Product type
<b>4012</b>		
DGL12	Not applicable	4012TAG
DGA12	DGAM	4012/4012-46TAG1 (A)
DGB12	DGBM	4012/4012-46TAG2 (A)
DGD12	DGDM	4012-46TAG3 (A)
N/A	DGLM	4012-46TAG0A
DGM12	Not applicable	4012 TWG
DGK12	DGKM	4012/4012-46TWG2 (A)
DGN12	DGNM	4012-46TWG3 (A)
N/A	DGVM	4012-46TWG4 (A)
DGP12	Not applicable	4012TEG
DGR12	Not applicable	4012TEG2
<b>4016</b>		
DGL16	DGLR	4016TAG
DGA16	DGAR	4016TAG1 (A)
DGB16	DGBR	4016TAG2 (A)
DGK16	DGKR	4016TWG2
DGR16	DGRR	4016TEG1/2 (A)
Not applicable	DGPR (Introduced July 2010)	4016-61 TRG1 (A)
Not applicable	DGWR (Introduced July 2010)	4016-61 TRG2 (A)
Not applicable	DGXR (Introduced July 2010)	4016-61 TRG3 (A)

### Notes

- A letter 'A' after the engine type equals the first evolution of that product, eg TAG1A
- The letters 'DBB' in the serial number signify a long engine replacement in a diesel or gas 4000 Series engine
- DPE' - new internal build list numbers

## 4000 Series - Gas

Build list ID pre January 2008	Build list ID from January 2008	Product type
<b>4006</b>		
DIE06	DIEF	4006TAG1
DIF06	DIFF	4006TESI
DIH06	DIHF	4006TRS
DIJ06	Not applicable	4006TRS
<b>4008</b>		
DIE08	DIEH	4008TESI
DIF08	DIFH	4008TESI
DIH08	DIHH	4008TRS
DIJ08	DIJH	4008TRS
<b>4012</b>		
DIE12	DIEM	4012TESI
DIF12	DIFM	4012TESI
<b>4016</b>		
DIE16	DIER	4016TESI
DIF16	DIFR	4016TESI
DIG16	DIGR	4016E61-TRS
Not applicable	DIHR (Build list ID from Jan 2009)	4016TRS
Not applicable	DIJR (Build list ID from Jan 2009)	4016TRS

### Notes

- A letter 'A' after the engine type equals the first evolution of that product, eg TAG1A
- The letters 'DBB' in the serial number signify a long engine replacement in a diesel or gas 4000 Series engine
- 'DPE' - new internal build list numbers

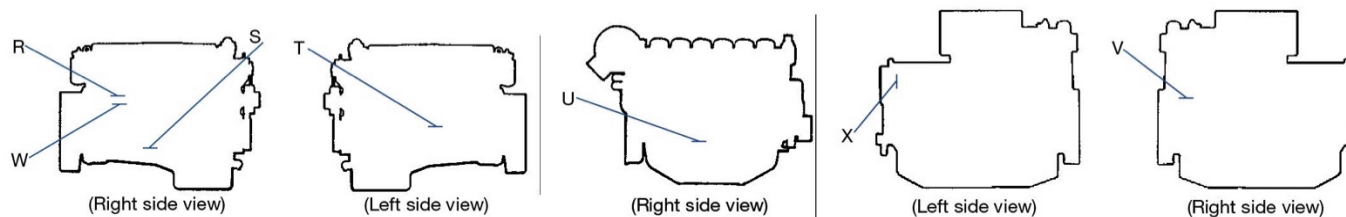
## 2000/3000 Series Mechanical

<b>Family: SA Automotive</b>	<b>SBB</b> 2000 Series	<b>Family: SI Gas</b>	<b>Family: SF Forklift</b>	<b>SGF</b> TG	<b>SPB</b> T1
<b>SAA</b> 300TX	<b>SBC</b> 3008 Series	<b>SIA</b> SI	<b>SFA</b> T1	<b>SGG</b> TG1A	<b>SPC</b> T2
<b>SAB</b> 320MX	<b>SBD</b> 3012 Series	<b>SIB</b> SI Gas Unit	<b>SFB</b> T2	<b>SGH</b> TG2A	<b>SPD</b> TA
<b>SAC</b> 335TX	<b>Family: SL Long Engine</b>	<b>SIC</b> TSI CHP	<b>SFC</b> TA	<b>SGJ</b> TTAG	<b>SPE</b> TAP
<b>SAE</b> 350E	<b>SLA</b> TX / Euro 2	<b>SID</b> TSI Gas Unit	<b>SFD</b> TW	<b>SGK</b> TWG2	<b>SPJ</b> TP
<b>SAG</b> 375TX	<b>SLB</b> 2000 Series	<b>SIE</b> TWSI CHP	<b>Family: SG Generator set</b>	<b>SGL</b> TAG	<b>SPK</b> TTA
<b>SAJ</b> 340TX2	<b>SLC</b> 3008 Series	<b>SIF</b> TWSI Gas Unit	<b>SGA</b> TAG1A	<b>SGM</b> TAG5	<b>SPL</b> TTAP
<b>SAK</b> 380TX2	<b>SLD</b> 3012 Series	<b>Family: SM Marine</b>	<b>SGB</b> TAG2	<b>Family: SH Horizontal</b>	<b>SPM</b> TW
<b>SAL</b> 410TX2	<b>SLE</b> 3008 Marine	<b>SMA</b> M600T1	<b>SGC</b> TAG2A	<b>SHA</b> TWH	<b>SPP</b> TW1
<b>Family: SA Automotive</b>	<b>SLG</b> 3008 / 3012SI	<b>SMB</b> M700T1	<b>SGD</b> TAG3A	<b>Family: SP Plant</b>	
<b>SBA</b> TX		<b>SMC</b> M800T1	<b>SGE</b> TAG4	<b>SPA</b> T	

## Shrewsbury Product (produced pre 1994)

8BT, 8CTA, 8DTW	Eagle
8CTA	Eagle TX
8BT, 8CTA/TTA, 8DTW, 8ESI, 8GTW-H	2000 Series
4AT, 4BTA, 4ESI	3008/CV8
4CTi	Condor Marine
6ATA, 6CTW, 6DT, 6ESI	3012/CV12

Engine type	Position
Eagle/2000 Series	<b>R</b>
3008 Series	<b>T</b>
3012 Series	<b>S</b>
2300/2500/2800 Series	<b>W</b>
4006/4008 Series	<b>U</b>
4012/4016	<b>V or X</b>



## Perkins Sales

### Americas

#### North America

1600 W Kingsbury St  
Seguin  
Texas 78155  
United States  
Toll free number: 1-888-PERK-ENG

#### South America

Rua Dr. Chucri Zaidan, 1240  
Golden Tower – 17th Floor  
São Paulo – SP CEP 04711-130  
Brazil  
Tel: +55 11 2109 2038

### Europe, Middle East and Africa

#### United Kingdom

Peterborough, PE1 5FQ  
United Kingdom  
Tel: +44 1733 583000

### Asia

#### China

20/F Lei Shing International Plaza  
1319 West Yan'an Road  
Shanghai 200050  
China  
Tel: +86 21 22160774  
Fax: +86 21 52136624

#### India

Floor 6, Tower 'B' Prestige Shantiniketan  
The Business Precinct, Whitefield Main Road  
Bangalore 560048  
India  
Email: IPSD\_India@perkins.com

#### Korea

11F, Songchon Building, 503  
Nonhyeon-ro, Gangnam-gu  
Seoul 06132  
Korea  
Tel: +82 10 8669 8358

#### Singapore

14 Tractor Road  
Singapore 627973  
Tel: +65 6828 7469  
Fax: +65 6828 7414

#### Japan

Ocean Gate Minato Mirai 12F  
3-7-1 Minatomirai, Nishi-ku, Yokohama city  
Kanagawa, 220-0012  
Japan  
Tel: +81 45 682  
Fax: +81 45 682 3690

Asahi Seimei Matsumoto Fukashi building 3F  
1-1-15 Fukashi, Matsumoto city  
Nagano, 390-0815  
Japan  
Tel: +81 263 87 2003  
Fax: +81 263 39 1682

[www.perkins.com](http://www.perkins.com)

Copyright © 2021 Perkins Engines Company Limited, all rights reserved. No part of this document may be reproduced in any form or by any means, without prior written permission of Perkins Engines Company Limited. The information in this document is substantially correct at the time of printing and may be altered subsequently.

Publication No. PP3000/08/21

 **Perkins®**

THE HEART OF EVERY GREAT MACHINE

